

# MOBILE TROMMEL SCREENER MTS1230



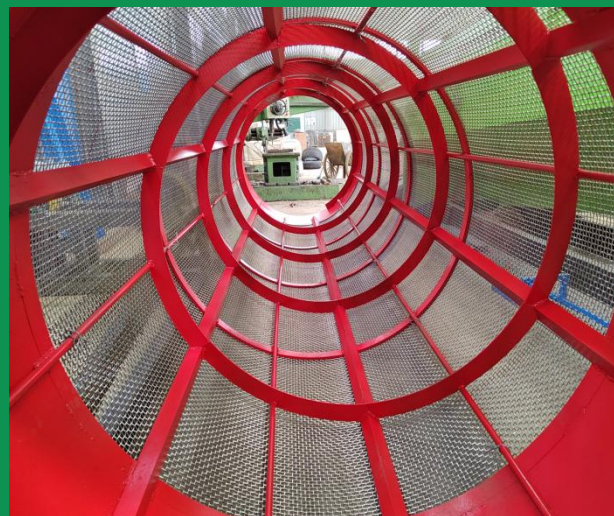
## Scope of application

Like all machines in the MTS series, the MTS 1230 not picky about sifting out waste and raw materials regards. It is equally suitable for compost, soil, light rubble, wood, biomass, sand and gravel etc.

Screening materials: earth, sand, gravel, compost, wood chips, construction waste, recycling material, slag, crushed stone and stone in grain sizes from 2 mm to 80 mm

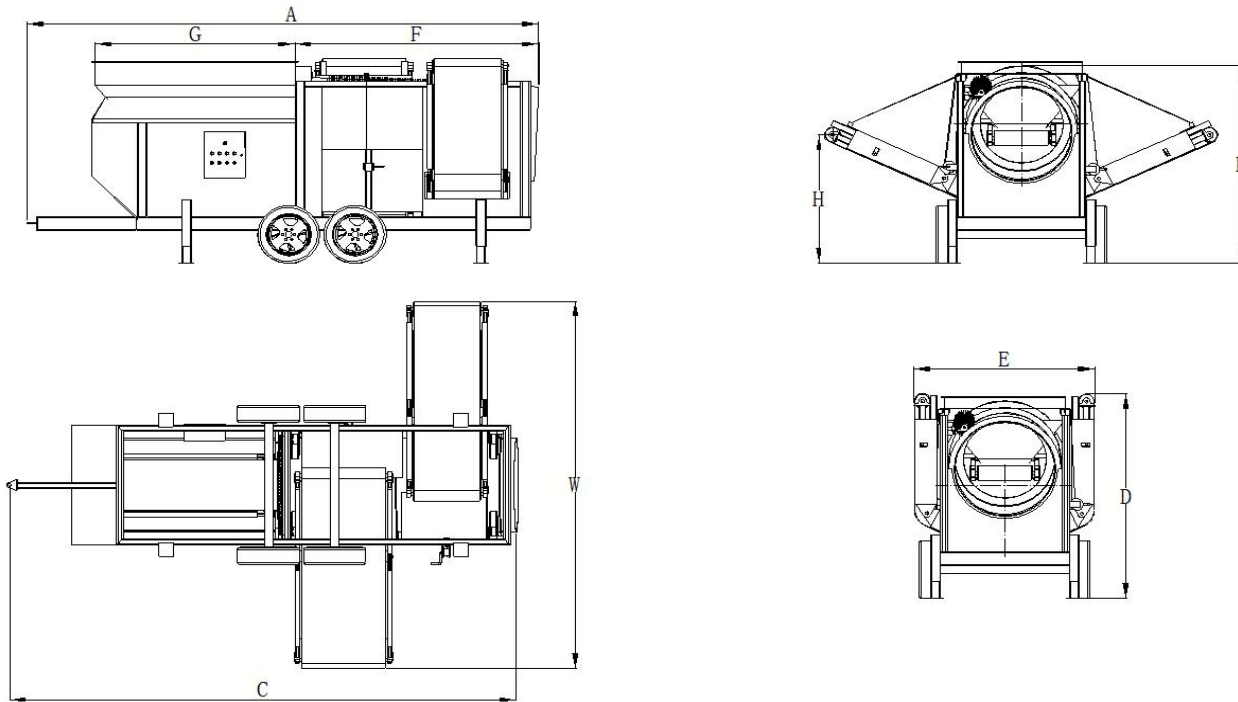
## Advantages

- Quick change system for the sieve insert, optionally drum or star screen insert
- Large 2 m<sup>3</sup> feed hopper with a loading height of just 1.8 m
- 2.5 m long discharge belts with 1.75 m delivery height
- Electronic load control for a perfect screening result optimal throughput
- Perfect mobility thanks to compact transport dimensions



Screening materials: earth, sand, gravel, compost, wood chips, construction waste, recycling material, slag, crushed stone and stone in grain sizes from 2 mm to 80 mm

MTS 1230 TROMMEL SCREENER



# MTS1230 Specifications

## Dimensions

A Operating Length	21' 1" (643.8 cm)
B Operating Height	8' 4" (253 cm)
C Travel Length	21' 1" (643.8 cm)
D Travel Height	8' 3" (251.5 cm)
E Travel Width	6' 11" (212.3 cm)
F Trommel Length	9' 10" (300 cm)
G Hopper Length	7' 9" (235 cm)
H Fines Conveyor Height	5' 3" (159 cm)

## Weight

Machine Weight Approx: 3300KG(Standard)

## Power train

Horsepower	40.8hp (30 kW)
Fuel Tank Capacity (Optional)	13.2 gal (60 L)

## Feed System

Hopper Capacity	2.6 yd <sup>3</sup> (2 m <sup>3</sup> )
Hopper Width	4' 11" (150 cm)

## Trommel

Trommel Diameter	3' 11" (120 cm)
Screening Area	89.34ft <sup>2</sup> (8.3 m <sup>2</sup> )
1 # Fines Conveyor	
Conveyor Length	7' 10" (240 cm)
Conveyor Width	3' 3" (100 cm)
Conveyor Angle	25 degrees
2. # Fines Conveyor	
Conveyor Length	7' 10" (240 cm)
Conveyor Width	3' 3" (100 cm)
Conveyor Angle	25 degrees
Screen (Standard)	
Screen size	20*20mm
Screen thickness	4mm

## Production

Screening Performance	78 yd <sup>3</sup> (60 m <sup>3</sup> ) per hour
-----------------------	--

Actual output may vary due to moisture content, material density, material size, and support equipment Specifications subject to change without notice

