

MOBILE TROMMEL SCREENER MTS1022



Scope of application

Like all machines in the MTS series, the MTS 1022 not picky about sifting out waste and raw materials regards. It is equally suitable for compost, soil, light rubble, wood, biomass, sand and gravel etc.

Screening materials: earth, sand, gravel, compost, wood chips, construction waste, recycling material, slag, crushed stone and stone in grain sizes from 2 mm to 80 mm

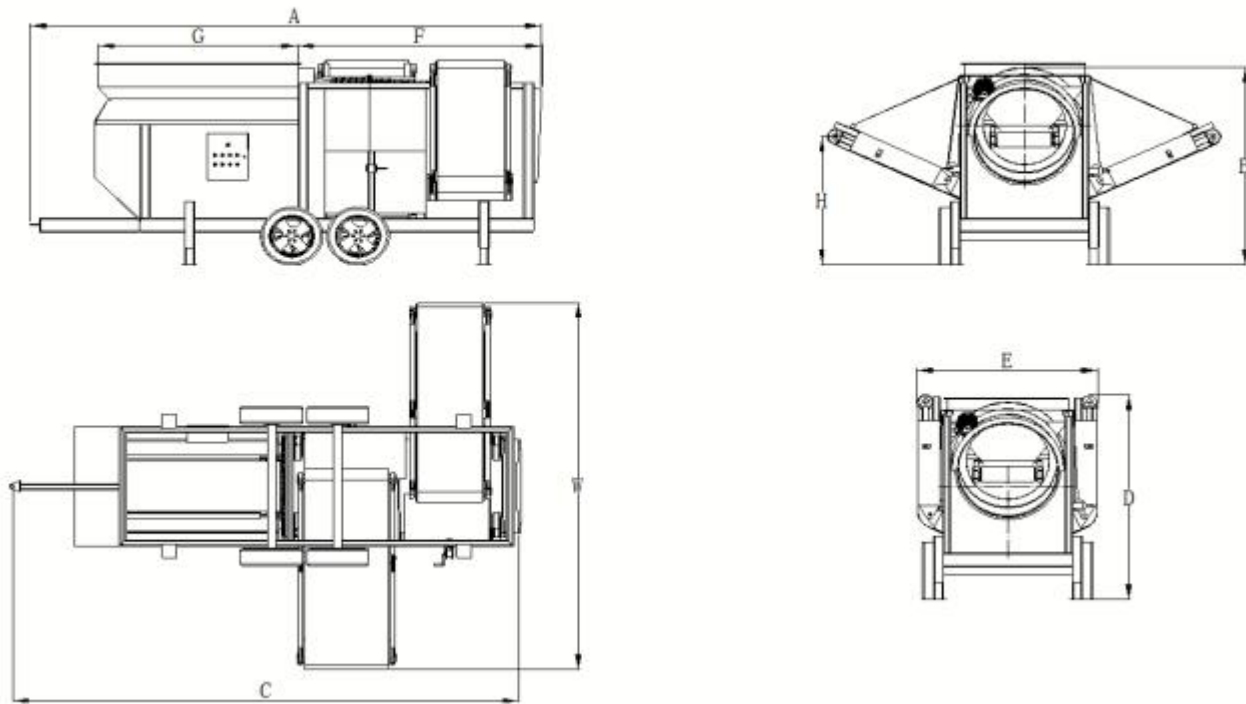
Advantages

- Quick change system for the sieve insert, optionally drum or star screen insert
- Large 1.1 m³ feed hopper with a loading height of just 1.8 m
- Electronic load control for a perfect screening result
- Perfect mobility thanks to compact transport dimensions



Screening materials: earth, sand, gravel, compost, wood chips, construction waste, recycling material, slag, crushed stone and stone in grain sizes from 2 mm to 80 mm

MTS1022 TROMMEL SCREEN



MTS1022 Specifications

Dimensions

A Operating Length	17' 4" (528.7 cm)
B Operating Height	7' 11" (242.7 cm)
C Travel Length	17' 4" (528.7 cm)
D Travel Height	8' 0" (243.4 cm)
E Travel Width	6' 4" (192 cm)
F Trommel Length	7' 3" (220 cm)
G Hopper Length	6' 5" (200 cm)
H Fines Conveyor Height	5' 0" (153 cm)

Weight

Machine Weight Approx: 2600KG(Standard)

Power train

Horsepower	33.5hp (25 kW)
Fuel Tank Capacity (Optional)	13.2 gal (60 L)

Feed System

Hopper Capacity	1.4 yd ³ (1.1 m ³)
Hopper Width	4' 2" (130cm)

Trommel

Trommel Diameter	3' 2" (100 cm)
Screening Area	57.04ft ² (5.3 m ²)
1 # Fines Conveyor	
Conveyor Length	8' 9" (267 cm)
Conveyor Width	2' 8" (82.5 cm)
Conveyor Angle	25 degrees
2. # Fines Conveyor	
Conveyor Length	8' 9" (267 cm)
Conveyor Width	2' 8" (82.5 cm)
Conveyor Angle	25 degrees

Screen (Standard)

Screen size	20*20mm (Customized)
Screen thickness	4mm

Production

Screening Performance	39 yd ³ (30 m ³) per hour
-----------------------	--

Actual output may vary due to moisture content, material density, material size, and support equipment
Specifications subject to change without notice

