

# MOBILE TROMMEL SCREENER MTS0818



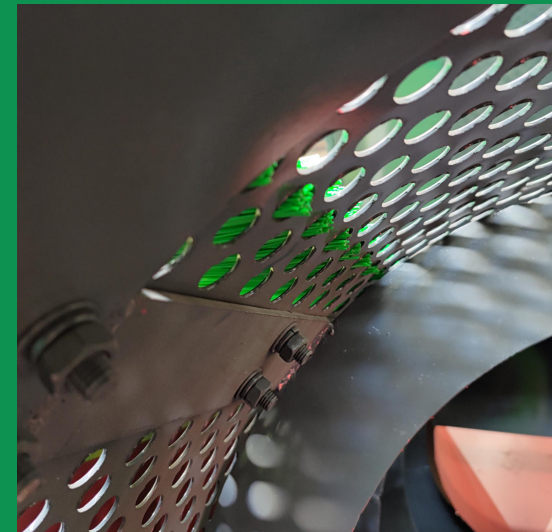
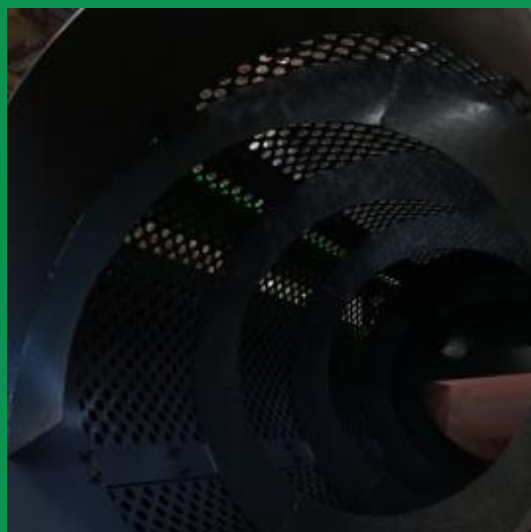
## Scope of application

Like all machines in the MTS series, the MTS 0818 not picky about sifting out waste and raw materials regards. It is equally suitable for compost, soil, light rubble, wood, biomass, sand and gravel etc.

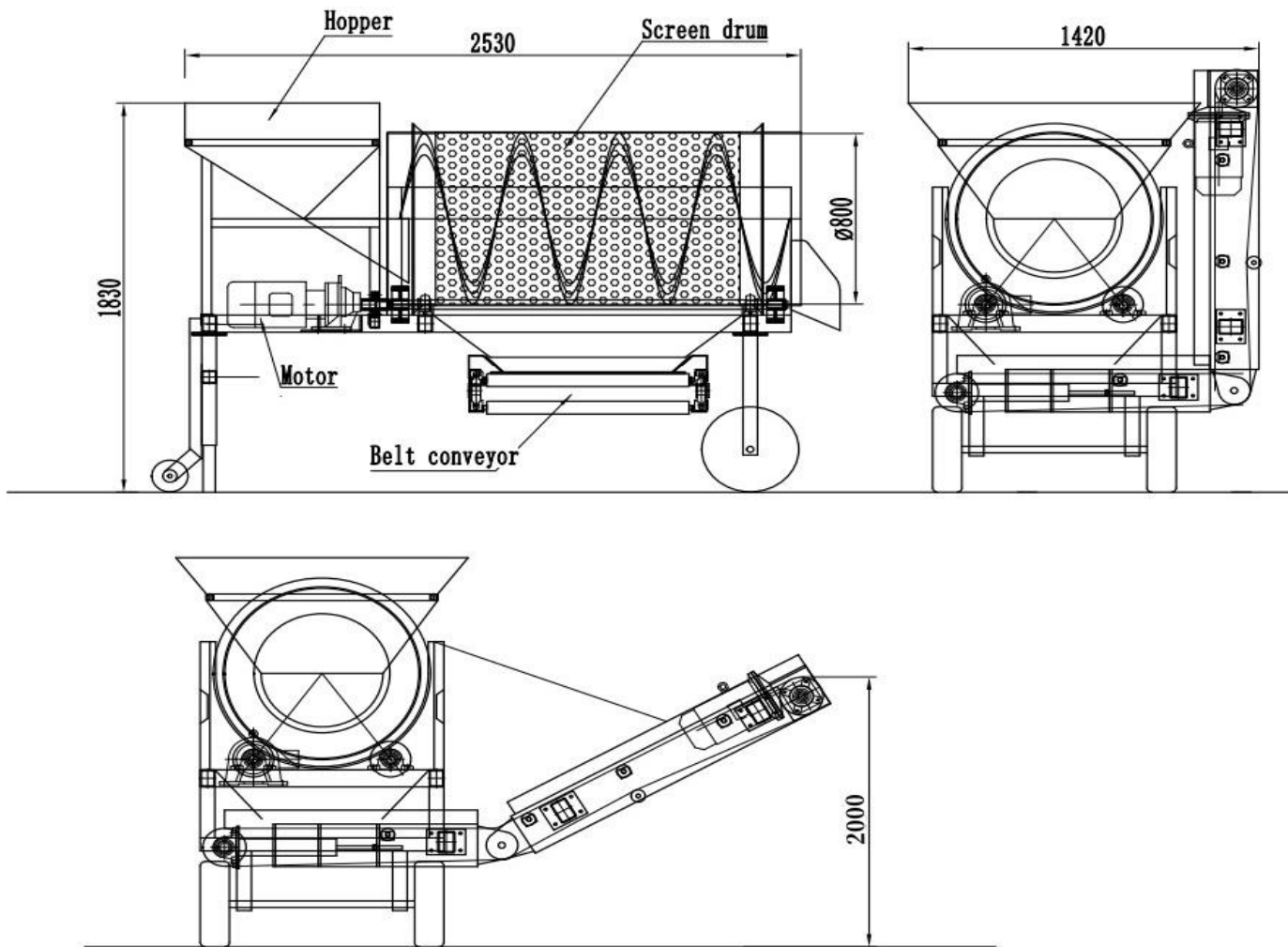
Screening materials: earth, sand, gravel, compost, wood chips, construction waste, recycling material, slag, crushed stone and stone in grain sizes from 2 mm to 80 mm

## Advantages

- Quick change system for the sieve insert, optionally drum or star screen insert
- Large 1.2\*0.8\*0.8 m feed hopper with a loading height of just 1.65 m
- Electronic load control for a perfect screening result optimal throughput
- Perfect mobility thanks to compact transport dimensions



Screening materials: earth, sand, gravel, compost, wood chips, construction waste, recycling material, slag, crushed stone and stone in grain sizes from 2 mm to 80 mm



## MTS 0818 Specifications

Dimensions		Trommel	
A Operating Length	11' 6" (349.5 cm)	Trommel Diameter	2' 7" (80 cm)
B Operating Height	5' 11" (180.5 cm)	Screening Area	32.29ft <sup>2</sup> (3 m <sup>2</sup> )
C Travel Length	11' 6" (349.5 cm)	Feed System	
D Travel Height	5' 11" (180.5 cm)	Hopper Capacity	0.65 yd <sup>3</sup> (0.5 m <sup>3</sup> )
E Travel Width	3' 11" (121.4 cm)	Hopper Size	3' 11" * 2' 7" * 2' 7" (120*80*80 cm)
F Trommel Length	5' 11" (180 cm)	Conveyor Width	2' 2" (65 cm)
G Hopper Length	2' 10" (86 cm)	Conveyor Angle	25 degrees
		Screen (Standard)	
Weight		Screen size	20*20mm (Customized)
Machine Weight Approx: 650 KG (Standard)		Screen thickness	4mm
Power train		Production	
Horsepower	2.95hp (2.2 kW)	Screening Performance	20 yd <sup>3</sup> (15 m <sup>3</sup> ) per hour

Actual output may vary due to moisture content, material density, material size, and support equipment Specifications subject to change without notice











